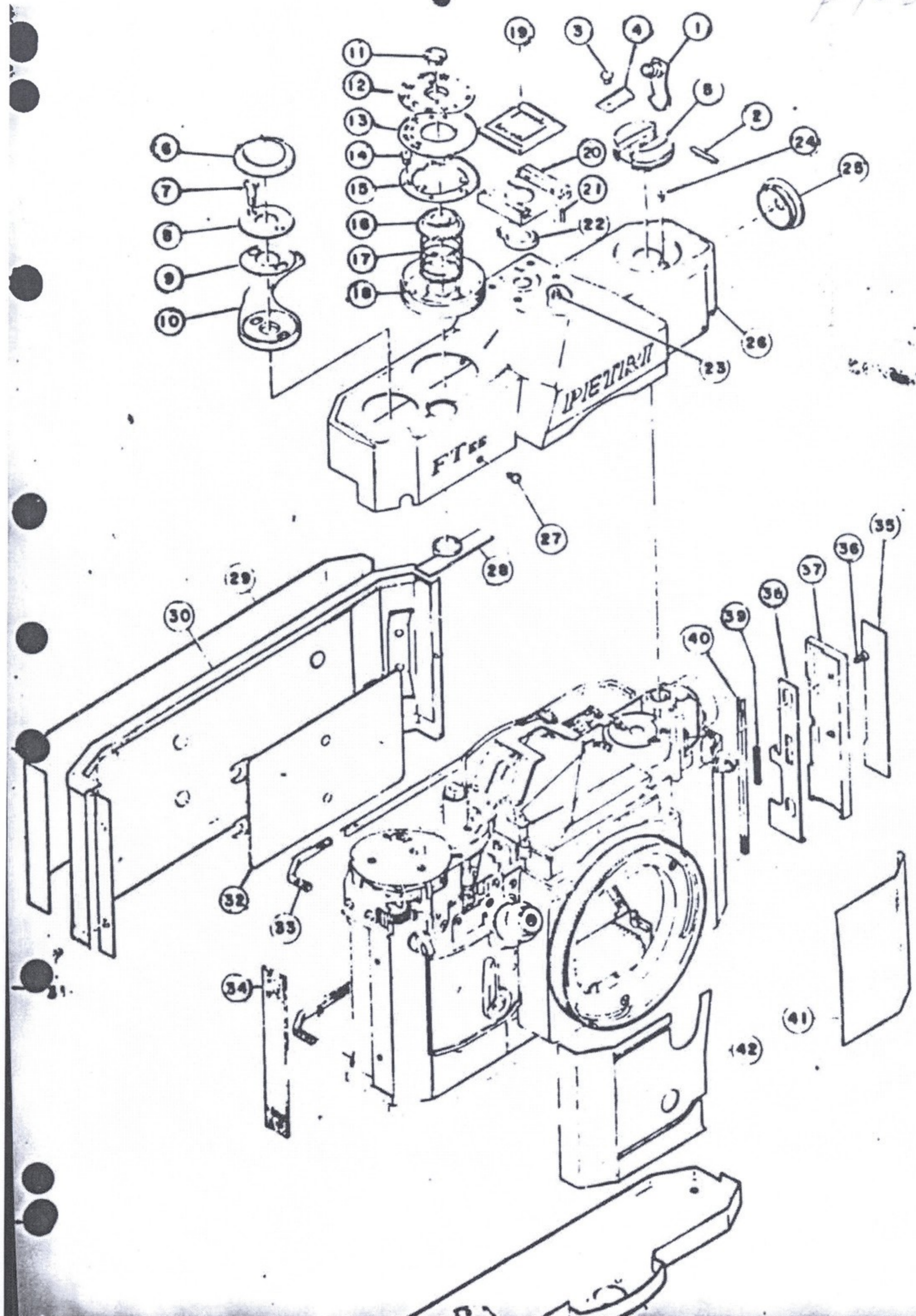
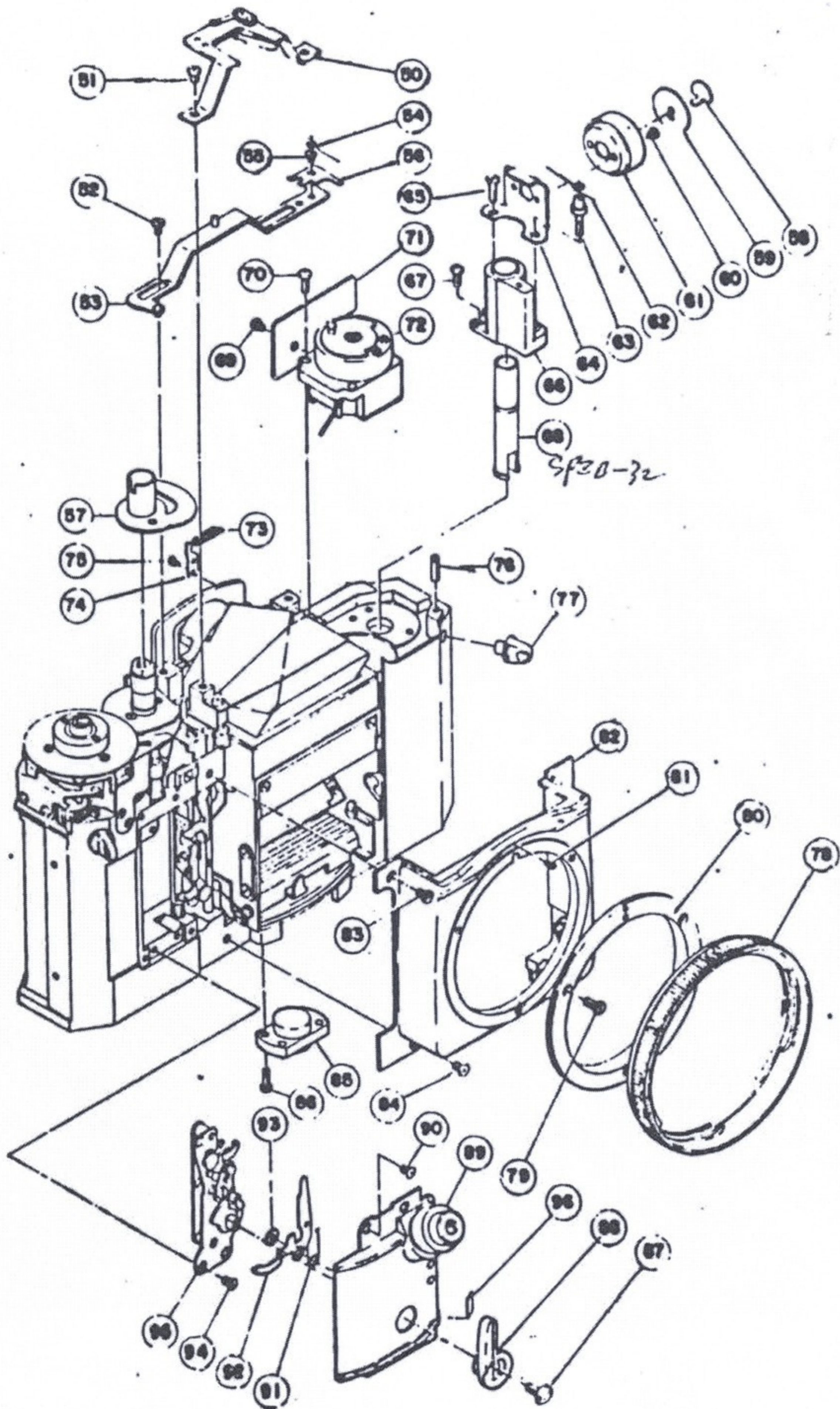
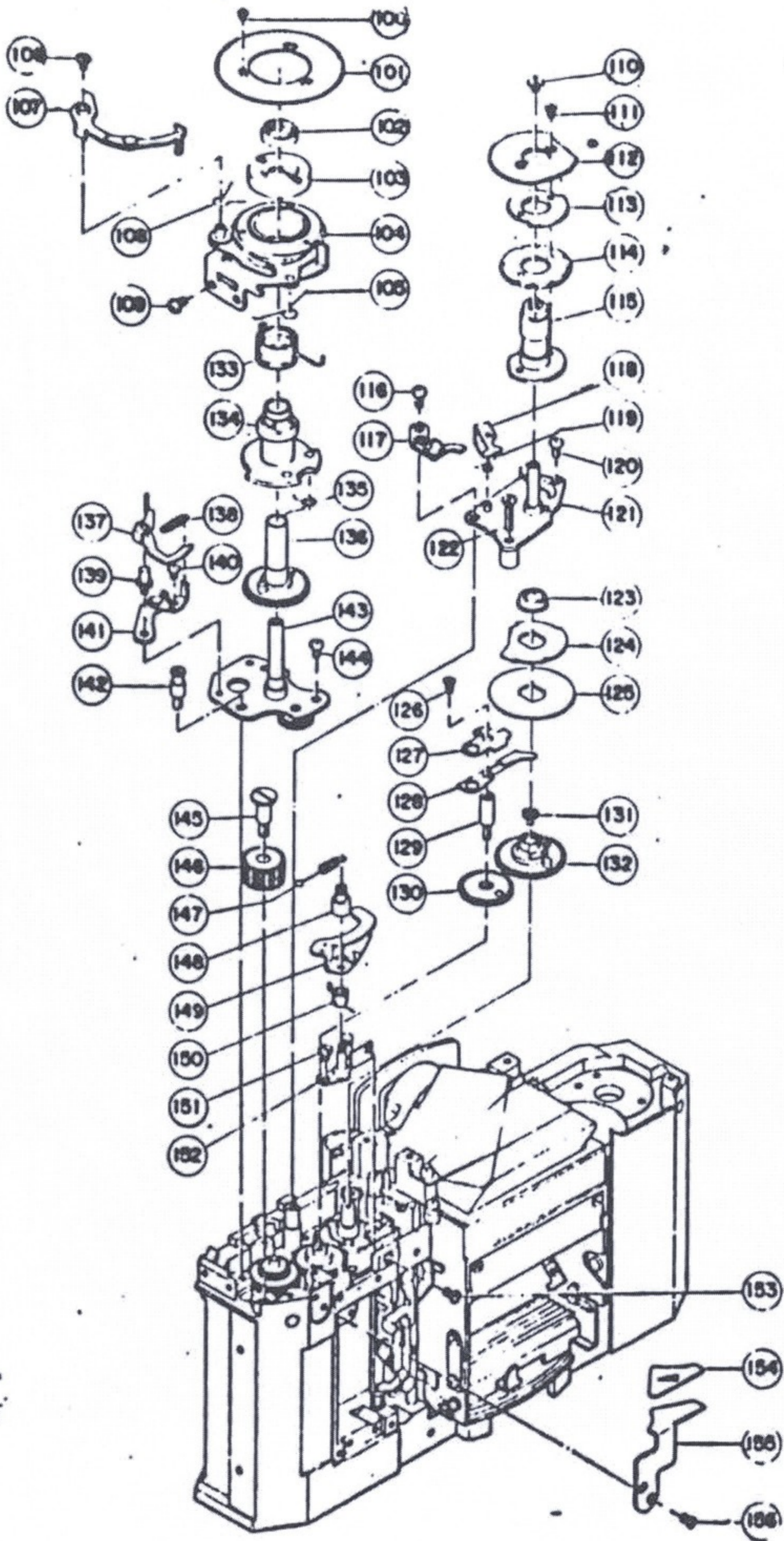
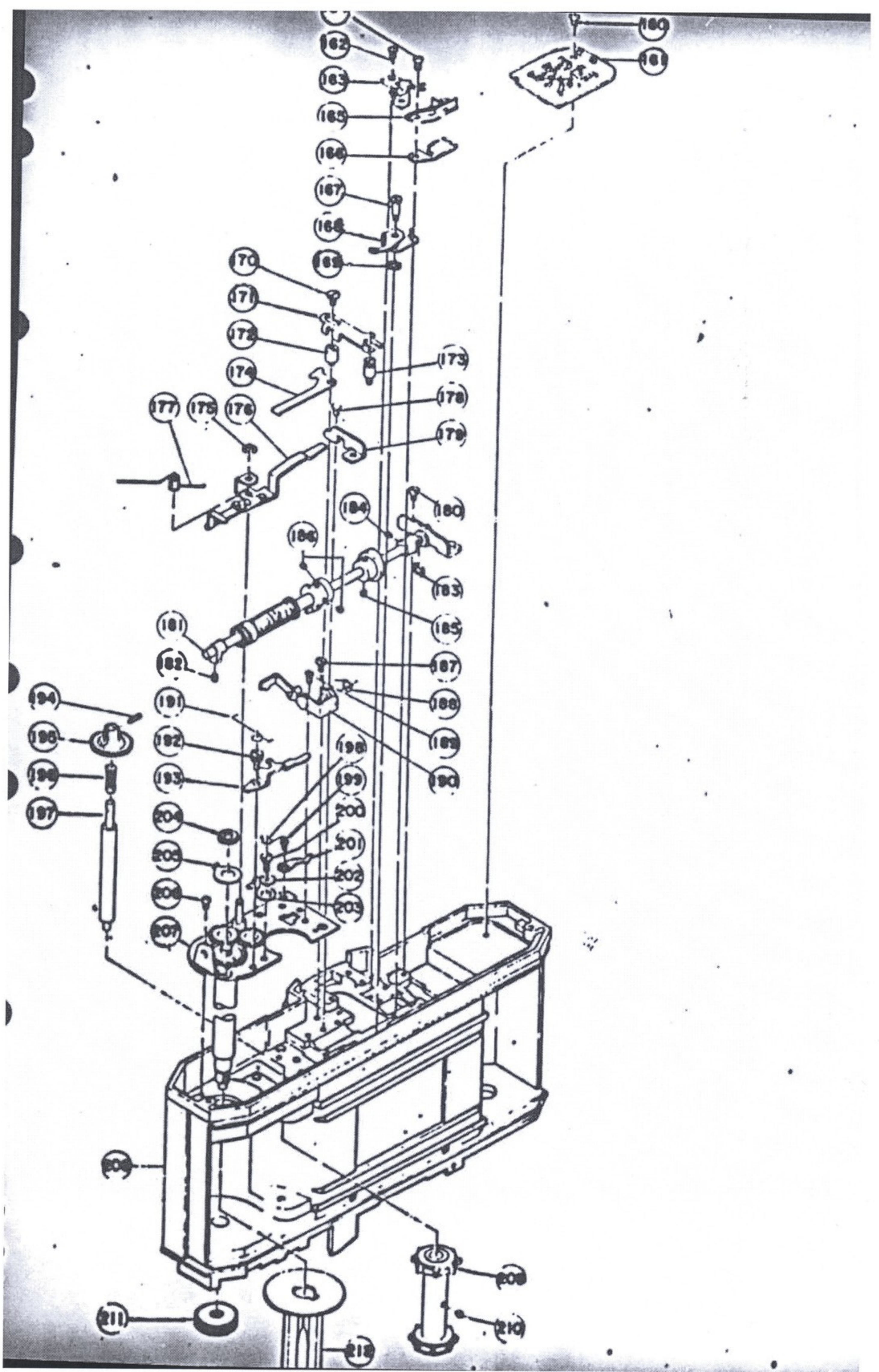


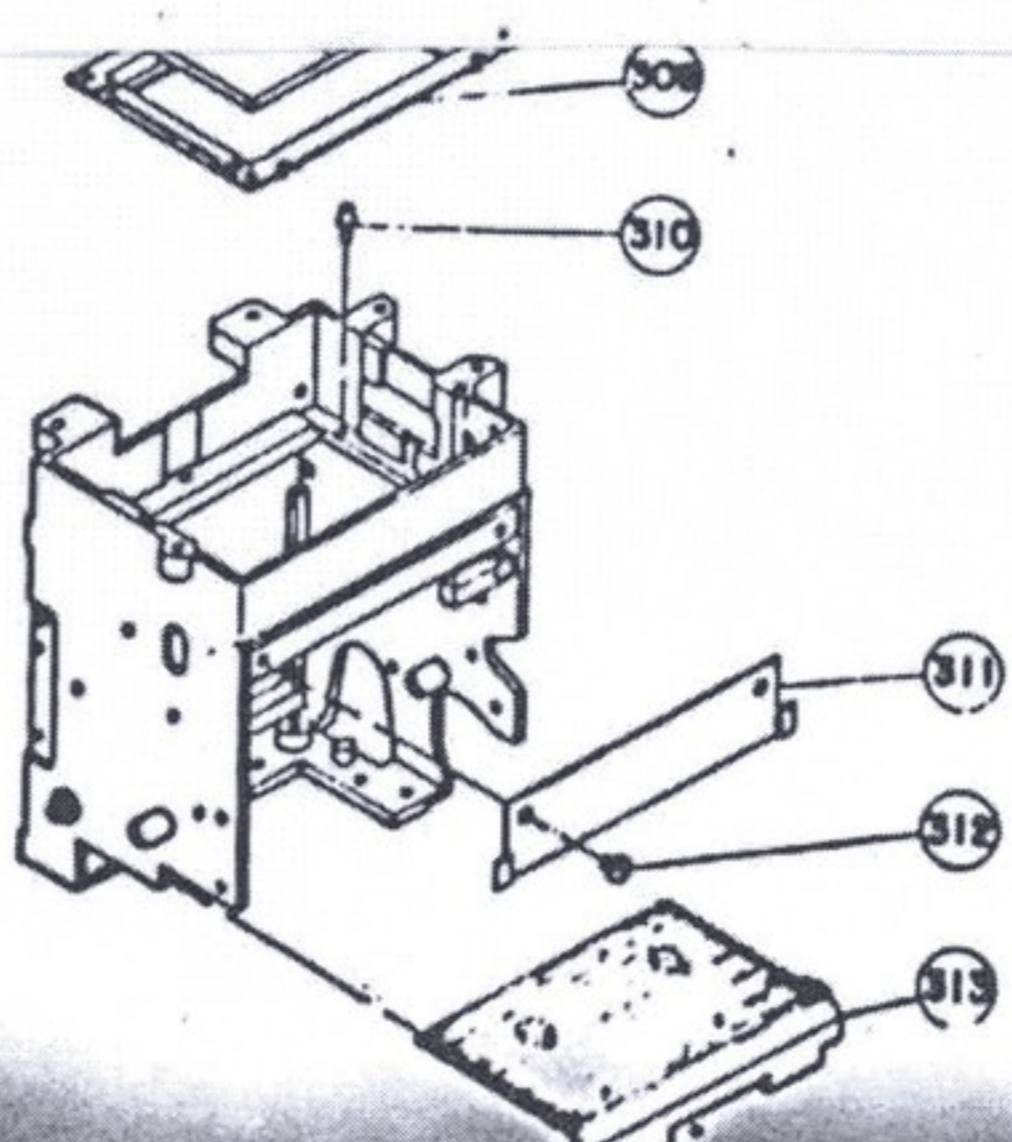
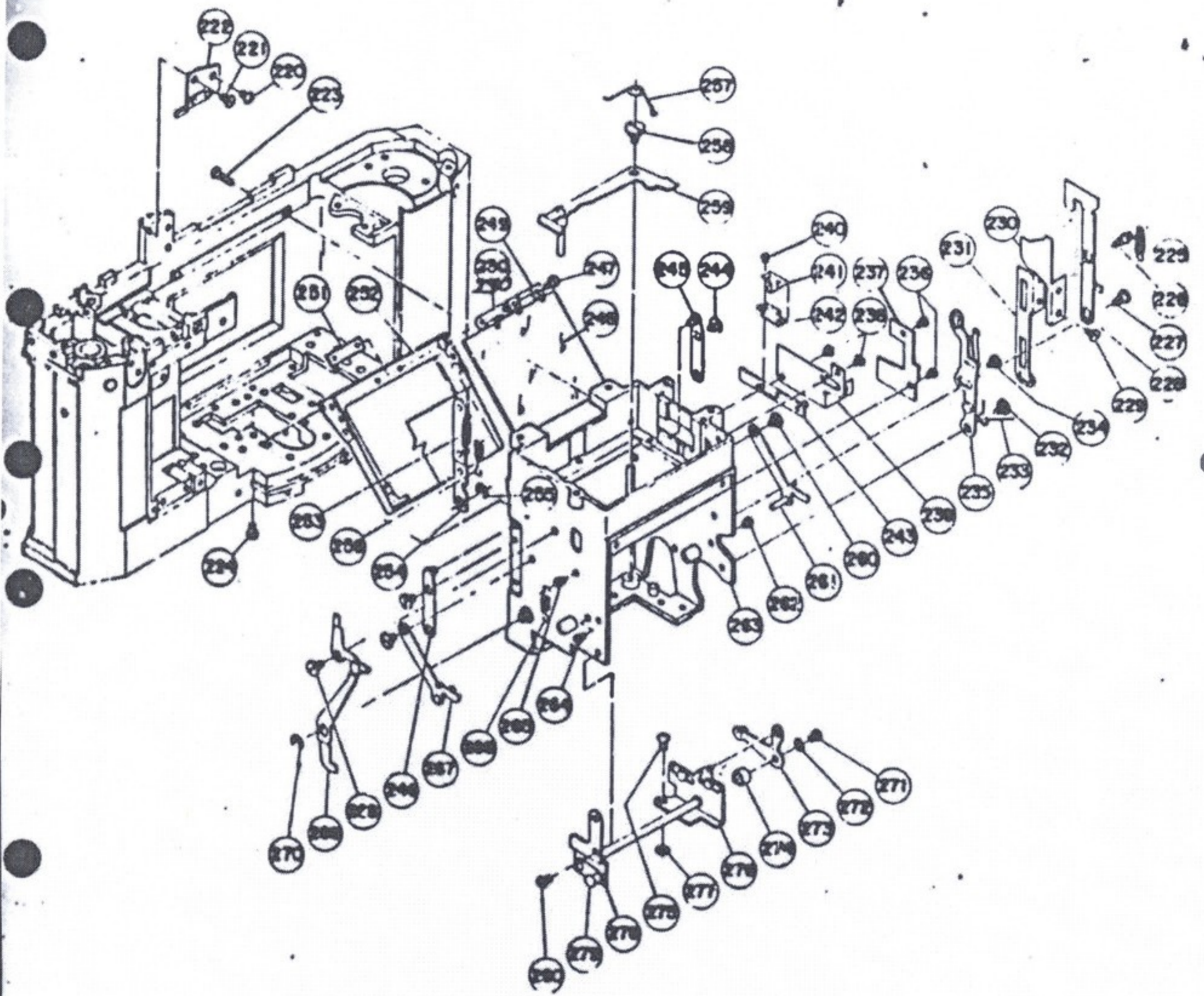
FT-EE

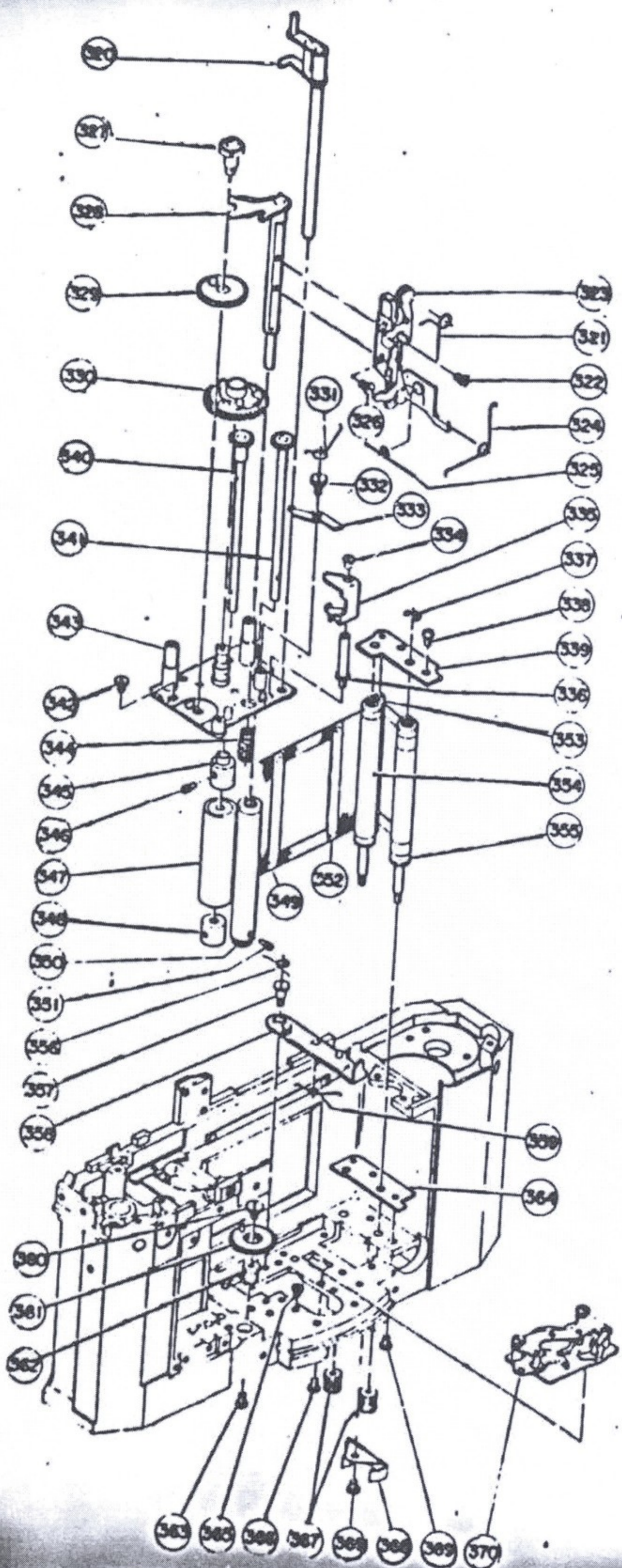


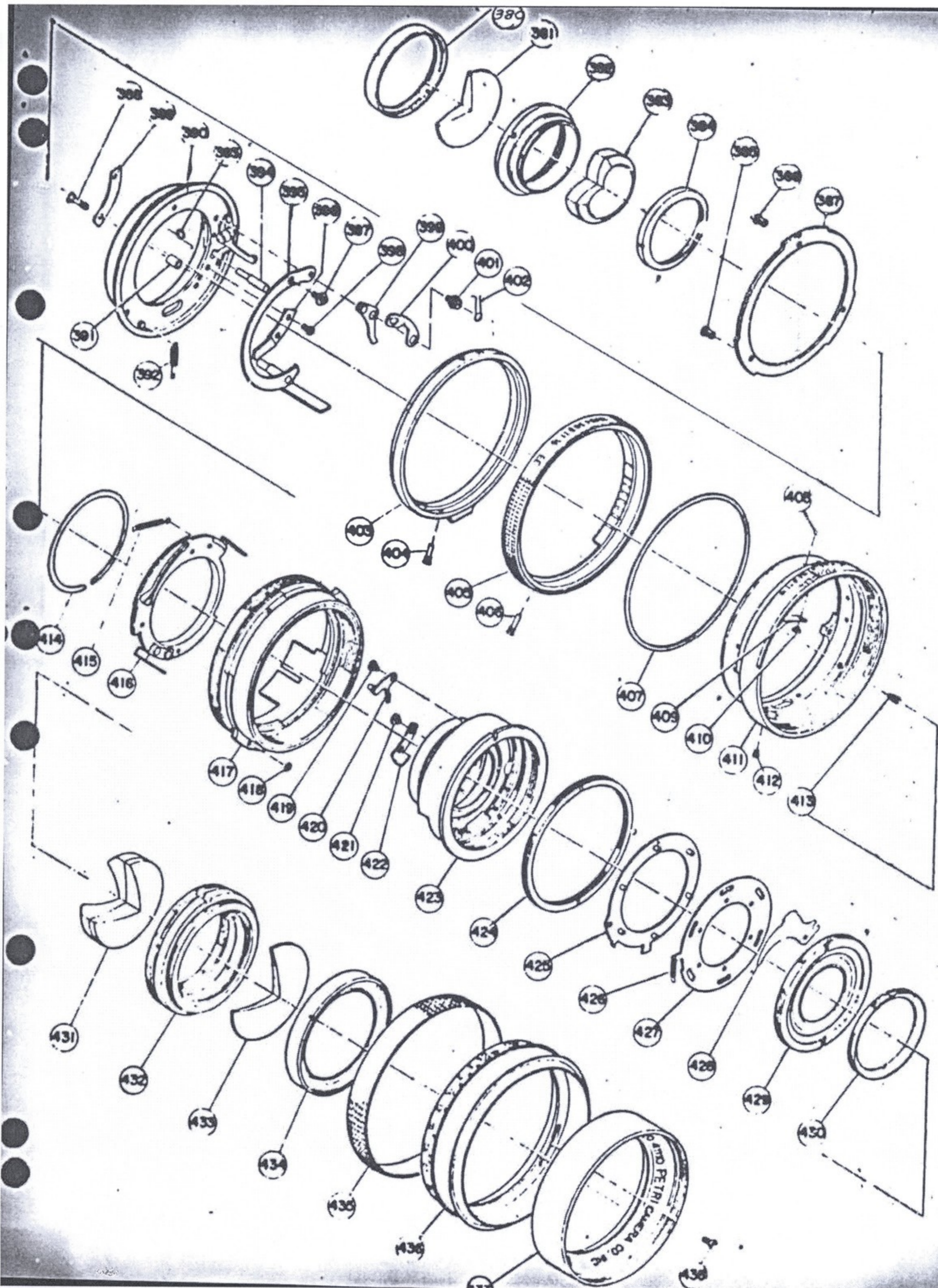












PARTS LIST

Fig. No.	Cord No.	Description	Unit	Remarks
1	011-1239	Rewind lever	1	
2	011-2563	Rewind lever shaft	1	
3	620-2552	Screw S73-202552H	1	
4	011-1240	Friction spring	1	
5	017-1394	Rewind knob	1	
6	017-2392	Wind lever mask	1	
7	011-2392	Wind lever screw	2	
8	011-1096	Friction clutch washer	1	
9	011-1097	Friction clutch spring	1	
10	017-1106	Wind lever	1	
11	017-1326	Shutter speed dial screw	1	
12	017-1018	Shutter speed dial name	1	
13	017-5017	ASA name	1	
14	627-2852	Screw S73-172852H	3	
15	017-1016	ASA click claw	1	
16	017-1323	ASA click plate	1	
17	017-3507	speed dial spring	1	
18	017-1325	shutter speed dial	1	
19	026-6128	Accessory shoe cover	1	
20	017-1334	Accessory shoe	1	
21	021-2311	Accessory shoe stopper	2	
22	017-6029	Accessory shoe base assembly	1	
23	627-2052	Screw S73-173052H	4	
24	637-2855	Screw S81-172855H	1	
25	017-1333	Battery cap	1	
26	017-1001	Top cover assembly	1	
27	627-2555	Screw S73-172555H	3	
28	017-6011	Counter dial window	1	
29	017-1093	Back cover leatherette	1	
30	011-1174	Back cover assembly	1	
31	637-2853	Screw S81-172853H	2	
32	011-1176	Pressure plate assembly	1	
33	021-1036	Body light baffle	2	
34	011-1017	Body light baffle (side)	1	

35	011-1251	Latch cover leatherette	1
36	637-3553	Screw S81-173553H	2
37	011-1181	Latch cover	1
38	011-1180	Back cover latch	1
39	001-3516	Back cover latch spring	1
40	017-1095	Latch light baffle	1
41	017-1091	Front leatherette (Right)	1
42	017-1092	Front leatherette (Left)	1
43	011-1162	Bottom cover	1
44	657-6055	Screw S91-176055H	2
45	527-2555	Screw S73-172555H	2
50	017-1069	Synchro Contact base assembly	1
51	627-2852	Screw S73-172852H	2
52	017-2381	Meter set bar screw	2
53	017-1020	Meter set bar A	1
54	017-3521	Meter set bar B spring	1
55	017-2391	Meter set bar B screw	2
56	017-1021	Meter set bar B	1
57	017-1322	Meter set cam	1
58	026-1120	Battery contact	1
59	026-1015	Battery contact base	1
60	637-2852	Screw S81-172852H	2
61	017-1023	Battery box	1
62	017-3509	Rewind shaft spring	1
63	017-2331	Rewind shaft case screw	1
64	017-1024	Battery box plate	1
65	017-2327	Rewind shaft case screw	1
66	017-1105	Rewind shaft case	1
67	627-4052	Screw S73-174052H	1
68	017-1332	Rewind shaft	1

69	627-2852	Screw S73-172852H	1
70	627-5052	Screw S73-175052H	2
71	017-5027	Resistor plate A	1
72	017-1104	Light meter assembly	1
73	017-3508	Meter set bar spring	1
74	017-1022	Meter set bar spring hook	1
75	614-2052	Screw S71-142052H	2
76	011-2373	Strap lug stopper screw	2
77	011-1528	Strap lug	2
78	011-1364	Bayonet ring	1
79	610-3555	Screw S71-203555H	3
80	011-1365	Flange	1
81	017-2380	Front cover pin	1
82	017-1101	Front cover	1
83	610-1852	Screw S71-201852H	2
84	610-3052	Screw S71-203052H	2
85	011-1478	Tripod hole	1
86	627-5552	Screw S73-175552H	2
87	011-2762	Self lever screw	1
88	011-1058	Self lever	1
89	017-1763	Shutter button base assembly	1
90	637-2853	Screw S81-172853H	3
94	637-2853	Screw S81-172853H	3
95	011-1060	Self timer gear assembly	1
96	017-1073	Leatherette complement plate	1
100	001-2761	Counter name screw	3
101	017-5010	Counter name	1
102	017-2305	Bounce stopper nut	1

103	017-1306	Bounce stopper spacer	1
104	017-1307	Counter gear plate assembly	1
105	017-3504	Counter stop spring	1
106	017-2396	Counter name advance pawl screw	1
107	017-1005	Counter name advance pawl assembly	1
108	017-3505	Counter name set spring	1
109	617-2852	Screw S71-172852H	2
110	617-2852	Screw S71-172852H	1
111	637-3552	Screw S81-173552H	2
112	017-1015	Slow speed cam	1
113	011-1004	Speed change cam	1
114	011-1045	Click plate	1
115	017-1321	High speed cam	1
116	627-4052	Screw S73-174052H	1
117	011-1006	Selector contact base assembly	1
118	017-1014	Selector contact lever	1
119	017-3506	Selector contact lever spring	1
120	627-4052	Screw S73-174052H	1
121	017-1013	Shutter speed dial base assembly	1
122	011-2347	Shutter speed dial base screw	1
123	011-1346	First blind gear nut	1
124	011-1037	Speed adjust cam	1
125	011-1038	Speed adjust cam washer	1
126	011-2372	Blind gear stopper screw	1
127	011-1121	Blind gear stopper	1
128	011-1085	Bounce stopper	1
129	011-2421	Gear plate screw	1
130	011-1612	Upper clutch gear	1
131	011-2323	First blind gear screw	1
132	011-1605	First blind gear	1
133	017-3501	Ratchet wheel spring	1
134	017-1301	Ratchet wheel assembly	1
135	011-3514	Ratchet wheel pawl spring	1
136	011-1606	Ratchet pin gear No.1	1
137	017-1002	Send lever B	1

138	011-3509	Winding stop pawl spring	1
139	017-2316	Send lever B shaft	1
140	627-2852	Screw S73-172852H	1
141	011-1077	Winding stop pawl assembly	1
142	017-2304	Winding gear plate screw	1
143	011-1101	Winding gear plate assembly	1
144	610-4052	Screw S71-204052H	2
145	011-2399	Take-up idle gear screw	1
146	011-1607	Take-up idle gear	1
147	017-3503	Advance pawl spring	1
148	017-2315	Advance pawl spring hook	1
149	011-1035	Shutter lever assembly	1
150	011-3504	Shutter lever spring	1
151	001-2384	Second blind hook screw	1
152	011-1027	Second blind hook assembly	1
153	624-3052	Screw S73-143052H	1
154	017-5008	Film indicator	1
155	017-1009	Film indicator post	1
156	637-2052	Screw S81-172052H	2
160	627-2852	Screw S73-172852H	1
161	017-5070	Resistor plate B	1
162	627-2852	Screw S73-172852H	2
163	011-1189	FP contact base assembly	1
164	627-4052	Screw S73-174052H	2
165	017-1066	Source switch contact assembly	1
166	017-1066	Source switch contact base	1
167	017-2370	Source switch lever screw	1
168	017-1065	Source switch lever	1
169	017-2372	Source switch lever post	1
170	011-2560	Mirror stop A clutch screw	1
171	011-2558	Mirror stop A clutch	1
172	011-2559	Mirror stop A clutch post	1